

## Rainmaker Select

### Overhead shower 460 3jet with shower arm

Surfaces: **White/Chrome** Article Number: **24007400**



#### Description

##### product features

- consists of: overhead shower, shower arm, escutcheon
- shower head size: 466 x 300 mm
- spray type: Rain, RainStream, MonoRain
- material spray disc: plexiglas
- spray disc surface: easy cleanable spray disc in glass optics
- shower arm length 461 mm
- maximum flow rate at 3 bar: 18 l/min
- flow rate Rain spray (at 3 bar): 18 l/min
- flow rate RainStream spray (at 3 bar): 15 l/min
- flow rate Mono spray (at 3 bar): 18 l/min
- function from: 12 l/min
- minimum flow pressure: 1,5 bar
- the 3 spray zones must be controlled via 3 valves or a diverter valve with 3 outlets
- spray disc removable for cleaning
- overhead shower removable for cleaning
- installation: wall-mounted - for installation on iBox
- connection dimension: DN15
- not suitable for continuous flow water heaters
- not included: basic set

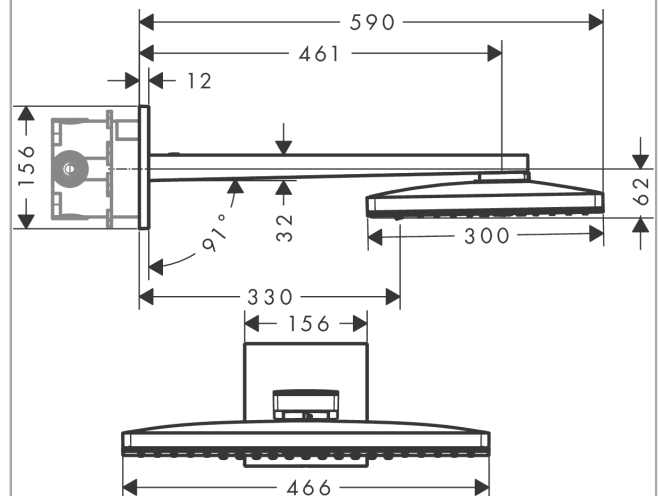
#### Technology



#### Product image



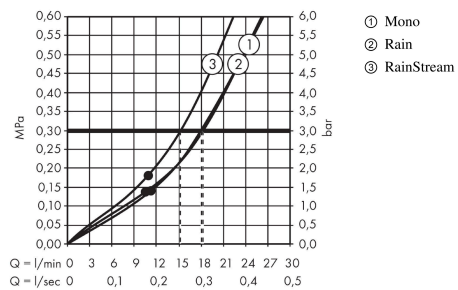
#### Scale drawing



**Rainmaker Select**  
**Overhead shower 460 3jet with shower arm**  
 Surfaces: **White/Chrome**    Article Number: **24007400**



### Flowchart

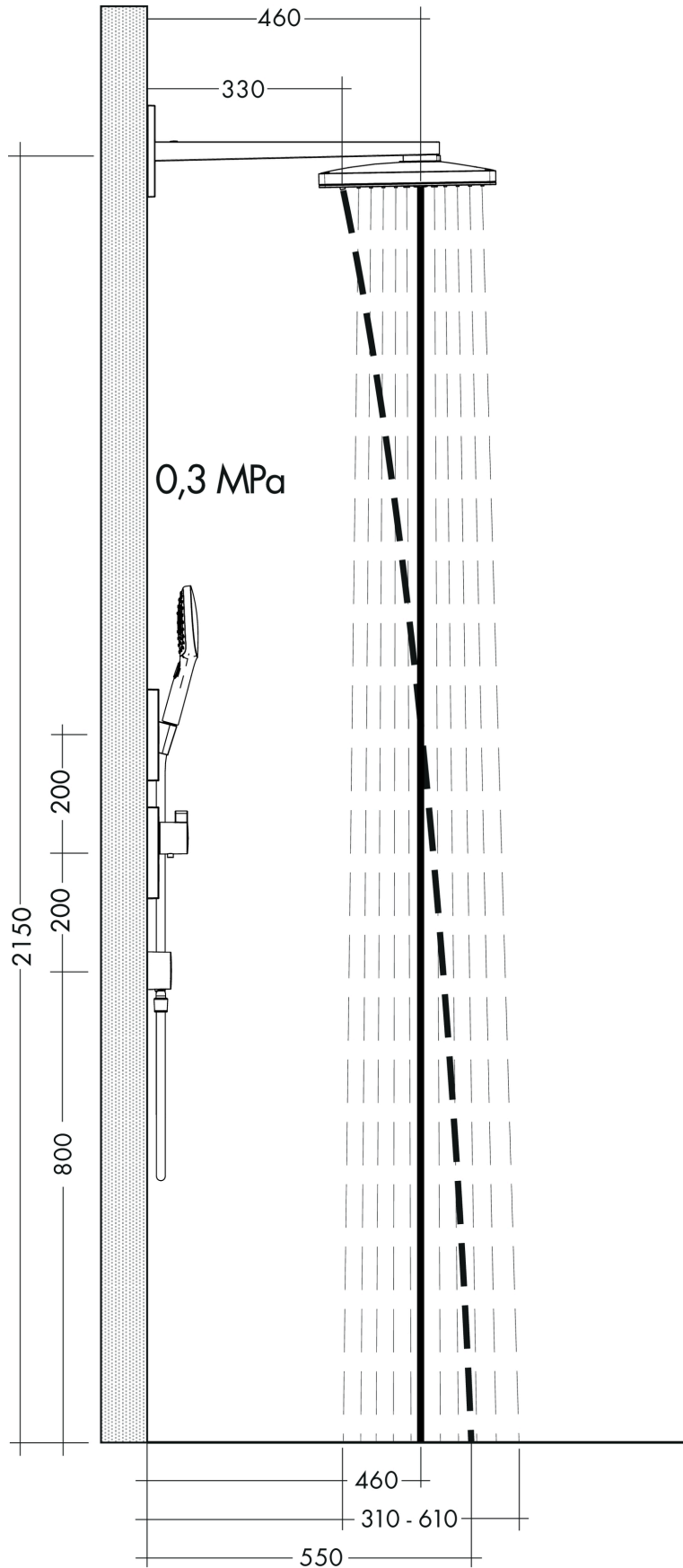


The consumption was measured in combination with the appropriate fittings (thermostat/mixer/in-wall valve) to reflect actual application in practice.

**Rainmaker Select**  
**Overhead shower 460 3jet with shower arm**  
Surfaces: **White/Chrome**    Article Number: **24007400**



## Installation examples

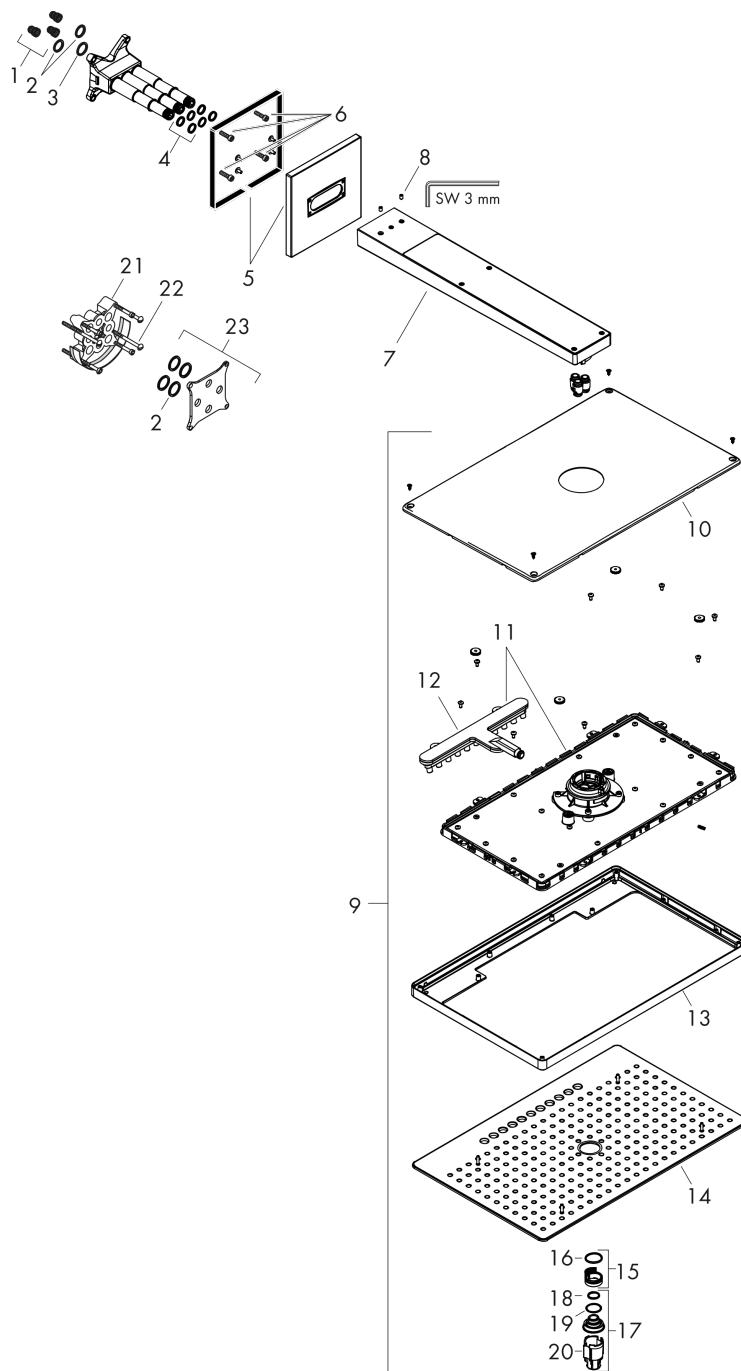


**Rainmaker Select**  
**Overhead shower 460 3jet with shower arm**  
 Surfaces: **White/Chrome**    Article Number: **24007400**



## Exploded Drawing

Year of production: >07/15



## Rainmaker Select

### Overhead shower 460 3jet with shower arm

Surfaces: **White/Chrome** Article Number: **24007400**



#### Spare part list

Year of production: >07/15

Pos.	Description	Article Number	Price	PU
1	filter	98513000	€ 3,21	1
2	O-ring 16x2	98133000	€ 3,21	1
3	O-ring 18x2	98181000	€ 5,24	1
4	O-ring 12x2	98214000	€ 3,21	1
5	escutcheon 155 / 155 mm	92700000	€ 162,08	1
6	set of screws	96525000	€ 8,45	1
7	shower arm	92701000	€ 401,27	1
8	hollow set screw M5x8	92851000	€ 3,21	1
9	head shower	92681000	€ 2.809,23	1
10	cover	93393000	€ 162,08	1
11	cartridge, assy	93389000	€ 401,27	1
12	spray insert	92923000	€ 86,16	1
13	frame	93391000	€ 539,55	1
14	spray body	92704000	€ 1.091,94	1
15	filter	92683000	€ 18,33	1
16	O-ring 24x2	98388000	€ 3,21	1
17	aerator laminar	92684000	€ 86,16	1
18	O-ring 15x2	98163000	€ 3,21	1
19	O-ring 21x2	98205000	€ 5,24	1
20	special tool	92686000	€ 8,45	1
21	extension 25 mm	13595000	-	1
22	set of fixing screws	97747000	€ 3,21	1
23	compensation set 1°	95521000	€ 162,08	1
a	concealed item	01800180	-	1